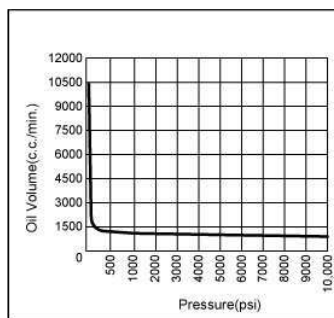




EP320D

MODEL: EP320 SERIES
ELECTRIC PUMPS, 1.48KW, 20 LITER
700 BAR/10,000psi

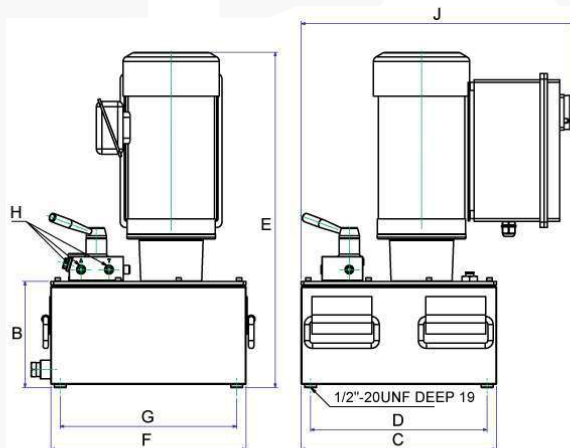
EP320



MODEL:EP320S

FEATURES

- Original pumps are built with 1.48KW, 220/380V, 50/60Hz, 3 phases universal brushless motor.
- Internal relief valve (700 bars) protects the components and work safety.
- Pumps are included with 24V, 3 meters remote control cord
- Quiet pumps comply OSHA noise limitation (80dBA at 700bar).
- EP320D specially designed for double-acting cylinders without the need for additional control valve and adapters.



Model No.	Acting	RPM 50/60 Hz	Reservoir Capacity (c.c.)	Usable Oil Capacity (c.c.)	Motor	Max. Pressure Output (psi)	Valve		Oil Del.(c.c./min. @)*(60Hz)			
							Type	Function	100(psi)	1000(psi)	5000(psi)	10000(psi)
EP320S EP320SS*	Single	1435 / 1735	20,000	18,000	1.48 KW 220V / 380V	10,000	2 Position / 2 Way	Hold /Retract	9,500	1,020	980	900
EP320D EP320DS*	Double	1435 / 1735	20,000	18,000	50 / 60 Hz 3 Phase	10,000	3 Position / 4 Way	Adv./Hold /Retract	9,500	1,020	980	900

1.48KW, 220V, 50Hz, Single Phase motor is also available for all models.

Model No.	A (mm)	B (mm)	C (mm)	D (mm)	E (mm)	F (mm)	G (mm)	H	J (mm)	Weight (kg)
EP320 Series	—	198.5	365	330	627.5	365	330	3/8"-NPT	512	56


* Solenoid Valve version.

** The weight is excluding the hydraulic oil.


Max. Working Pressure - 700 bar / 10,000 psi

HOSES

- Heavy duty hoses rated at 700 bar, meet IJ-1000 specification as worldwide safety standards.
- Hoses are black rubber coated with two layers of steel braided reinforcement.
- Flexible hoses with spring guard at both ends to protect adaptors.

Description	Model No.	End One	End Two	Length		I/D	
				(feet)	(mtr)	(inch)	(mm)
Rubber Hoses 	HS225	1/4" NPT	1/4" NPT	5	1.5	1/4	6.4
	HS235	1/4" NPT	3/8" NPT	5	1.5	1/4	6.4
	HS226	1/4" NPT	1/4" NPT	6	1.8	1/4	6.4
	HS236	1/4" NPT	3/8" NPT	6	1.8	1/4	6.4
	HS332	3/8" NPT	3/8" NPT	2	0.6	1/4	6.4
	HS333	3/8" NPT	3/8" NPT	3	0.9	1/4	6.4
	HS335	3/8" NPT	3/8" NPT	5	1.5	1/4	6.4
	HS336	3/8" NPT	3/8" NPT	6	1.8	1/4	6.4
	HS337	3/8" NPT	3/8" NPT	7	2.1	1/4	6.4
	HS338	3/8" NPT	3/8" NPT	8	2.4	1/4	6.4
	HS3310	3/8" NPT	3/8" NPT	10	3.0	1/4	6.4
	HS3312	3/8" NPT	3/8" NPT	12	3.6	1/4	6.4
	HS3315	3/8" NPT	3/8" NPT	15	4.5	1/4	6.4
	HS3320	3/8" NPT	3/8" NPT	20	6.0	1/4	6.4

Rubber Hoses(High Flow) 	HFHS332	3/8" NPT	3/8" NPT	2	0.6	3/8	9.4
	HFHS333	3/8" NPT	3/8" NPT	3	0.9	3/8	9.4
	HFHS335	3/8" NPT	3/8" NPT	5	1.5	3/8	9.4
	HFHS336	3/8" NPT	3/8" NPT	6	1.8	3/8	9.4
	HFHS338	3/8" NPT	3/8" NPT	8	2.4	3/8	9.4
	HFHS3310	3/8" NPT	3/8" NPT	10	3.0	3/8	9.4

Polyurethane Hose 	PHS332	3/8" NPT	3/8" NPT	2	0.6	1/4	6.3
	PHS333	3/8" NPT	3/8" NPT	3	1.0	1/4	6.3
	PHS335	3/8" NPT	3/8" NPT	5	1.5	1/4	6.3
	PHS336	3/8" NPT	3/8" NPT	6	1.8	1/4	6.3
	PHS337B	3/8" NPT	3/8" NPT	7	2.1	1/4	6.3
	PHS338	3/8" NPT	3/8" NPT	8	2.4	1/4	6.3
	PHS3310	3/8" NPT	3/8" NPT	10	3.0	1/4	6.3
	PHS3312	3/8" NPT	3/8" NPT	12	3.6	1/4	6.3
	PHS3315	3/8" NPT	3/8" NPT	15	4.5	1/4	6.3
	PHS3320	3/8" NPT	3/8" NPT	20	6.0	1/4	6.3
	PHS3330	3/8" NPT	3/8" NPT	30	9.0	1/4	6.3

Polyurethane Hose (High Flow) 	HPHS332	3/8" NPT	3/8" NPT	2	0.6	3/8	9.7
	HPHS333	3/8" NPT	3/8" NPT	3	1.0	3/8	9.7
	HPHS335	3/8" NPT	3/8" NPT	5	1.5	3/8	9.7
	HPHS336	3/8" NPT	3/8" NPT	6	1.8	3/8	9.7
	HPHS338	3/8" NPT	3/8" NPT	8	2.4	3/8	9.7
	HPHS3310	3/8" NPT	3/8" NPT	10	3.0	3/8	9.7
	HPHS3312	3/8" NPT	3/8" NPT	12	3.6	3/8	9.7
	HPHS3315	3/8" NPT	3/8" NPT	15	4.5	3/8	9.7
	HPHS3320	3/8" NPT	3/8" NPT	20	6.0	3/8	9.7
	HPHS3330	3/8" NPT	3/8" NPT	30	9.0	3/8	9.7

Max. Working Pressure - 700 bar / 10,000 psi





COUPLERS

Description	Model No (Set)	Dimensions (mm)	Model No.
 NEEDLE (Plastic caps for both ends) RAM HALF: 1/4 NPT HOSE HALF: 1/4 NPT	CP210		CP211 CP212
 NEEDLE (Metal cover for Ram half) RAM HALF: 1/4 NPT HOSE HALF: 1/4 NPT	CP230		CP231 CP232
 NEEDLE (Plastic caps for both ends) RAM HALF: 3/8 NPT HOSE HALF: 3/8 NPT	CP380		CP381 CP382
 BALL (Plastic caps for both ends) RAM HALF: 3/8 NPT HOSE HALF: 3/8 NPT	CP330B		CP331B CP332B
 NEEDLE (Metal cover for Ram half) RAM HALF: 3/8 NPT HOSE HALF: 3/8 NPT	CP350		CP351 CP352
 NO-SPILL RAM HALF: 3/8 NPT HOSE HALF: 3/8 NPT	CP430		CP431 CP432

HYDRAULIC OIL

- Used for 700 bar cylinders / hand pumps (transparent) and electric pumps (blue color).
- Contains anti-rust, anti-wear, anti-oxidant and anti-foaming additives.
- High quality hydraulic oil with low pour point.
- Oil Type : ISO VG 32 - 68

GAUGES

Description	Model No.	Dimensions (mm)
 Liquid filled dampens needle vibration. Calibrated to read in bar, psi. Dial - 2-1/2" ; Thread Size: 1/4NPT Accuracy, Meet DIN Standard ±1.6% of full scale.	M0039	
 All Features same as M0039 Except with Dial - 100 mm.	M0136	